

VERTICAL LIFTING CLAMP (Lock handle type with Universal shackle)



SVC 0.3E ~ 2E

Lightweight clamp primarily designed for the vertical lifting of steel plates. The unique design of this clamp also makes it possible for lifting work piece to any directions.

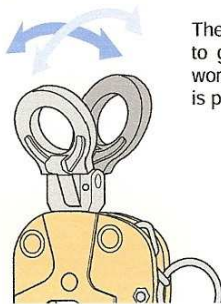
FEATURES

- The spring-loaded tightening lock mechanism assures a positive initial clamping force.
- The universal shackle allows the cam to generate a clamping force on the work piece no matter which direction it is pulled.
- The clamping force increases in proportion to the weight of the load.
- The main body and the shackle are made of die-forged special alloy steels, which are optimally tempered for maximum strength and durability.
- High-frequency quenching of die-forged special alloy steels gives greater durability to the cam.
- The main body is a baked-on finish.

SPECIFICATIONS

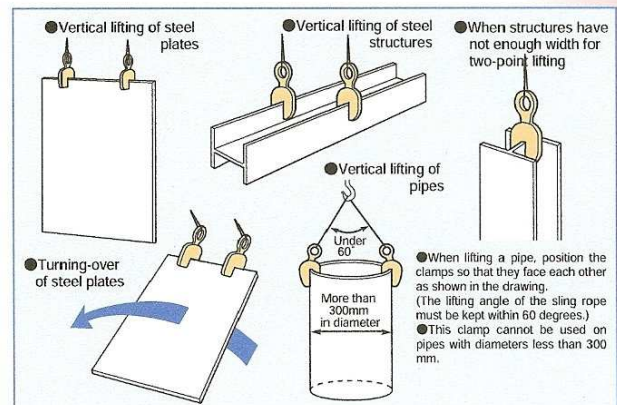
Item No.	Rated capacity (ton)	Jaw opening (mm)	Net weight (kg)	Remarks
SVC 0.3E	0.3	0~16	1.6	
SVC 0.5E	0.5	0~19	2.1	
SVC 1E	1	0~25	3.7	
SVC 1.5E	1.5	0~28	5.5	
SVC 2E	2	0~32	7.0	

UNIVERSAL TYPE SHACKLE

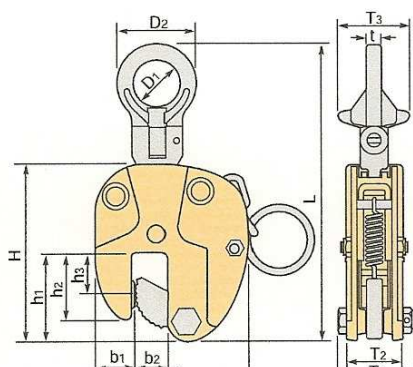


The Universal shackle allows the cam to generate a clamping force on the work piece no matter which direction it is pulled.

EXAMPLES OF USE



⚠ Always lift work pieces at 2 or more points for safety.



DIMENSIONS TABLE

(Unit:mm)

Item No.	L	H	h1	h2	h3	B	b1	b2	D1	D2	T1	T2	T3	t
SVC 0.3E	157~176	110	57	48	30	100	25	19	26	45	49	36	39	8
SVC 0.5E	180~204	125	67	53	34	110	28	22	30	52	55	40	45	10
SVC 1E	223~257	160	80	60	38	130	35	29	35	60	65	48	53	12
SVC 1.5E	254~290	174	88	67	42	150	39	33	45	76	74	55	67	14
SVC 2E	292~335	194	97	73	45	162	43	37	55	94	76	58	83	16