

LATERAL LIFTING CLAMP (Split Jaw type)

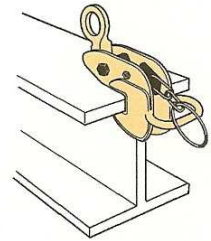


HLC 0.5U ~ 5U

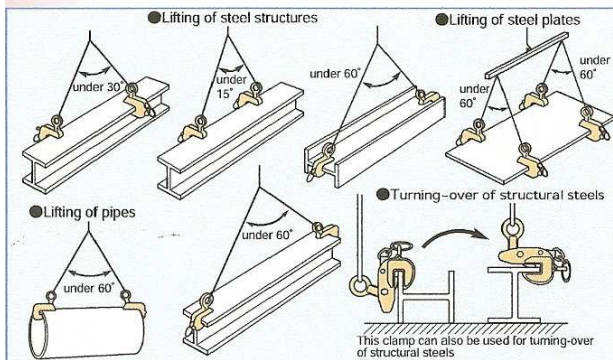
Clamp for lateral (horizontal) lifting of "H", "I", "T", "L" shaped structured steel and steel plates, which can be optimally used for clamping to the longer end of the work piece at 2-point lifting.

FEATURES

- The spring-loaded tightening lock mechanism assures a positive initial clamping force.
- The clamping force increases in proportion to the weight of the load.
- The main body is made from welding high-tensile steel, and has extreme strength and durability.
- High-frequency quenching of die-forged special alloy steels gives greater durability to the cam.
- The main body is a baked-on finished.
- The handle makes it easy and safety to set detach the clamp onto and from the work piece.



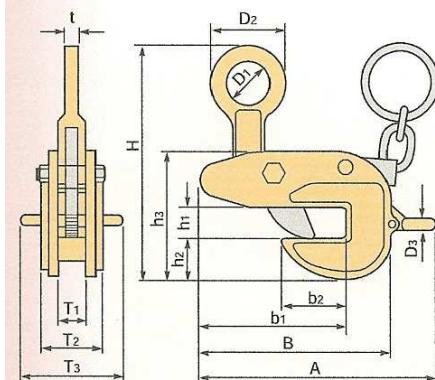
EXAMPLES OF USE



⚠ Always lift work pieces at 2 or more points for safety.

SPECIFICATIONS

Item No.	Rated capacity (ton)	Jaw opening (mm)	Net weight (kg)	Remarks
HLC 0.5U	0.5	0~25	3.2	
HLC 1U	1	0~30	5.1	
HLC 2U	2	0~35	8.7	
HLC 3U	3	0~40	13.5	
HLC 5U	5	0~45	21.5	



DIMENSIONS TABLE

(Unit:mm)

Item No.	H (MAX.)	h1	h2	h3	b1	b2	A	B	D1	D2	D3	T1	T2	T3	t
HLC 0.5U	208	28	35	112	130	56	212	170	40	65	12	27	57	84	12
HLC 1U	246	33	46	141	152	65	250	208	50	80	12	34	64	84	16
HLC 2U	292	38	58	171	173	74	283	241	60	100	12	38	80	98	18
HLC 3U	337	43	70	200	193	83	329	273	70	120	16	42	90	112	20
HLC 5U	385	48	86	229	218	90	370	314	80	140	16	46	102	112	22