

STEEL PLATE LIFTING HOOK



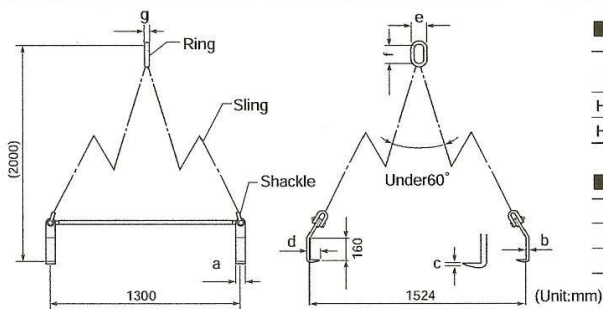
HHC 3ST · 5ST

Stacked steel plates lifting hook.

■ FEATURES

- Hook for horizontal installation and lifting of stacked steel plates at 4 points.
- The hook has an acute angle so that it can lift some of stacked steel plates.
- A free bearing design can absorb vibrations during operation.
- The hook is made of special alloy steels, which is optimally tempered for maximum durability.

■ EXAMPLES OF USE



■ SPECIFICATIONS

Item No.	Rated capacity (4 hooks set)	Sling length	Sling diameter	Set weight (kg)	Remarks
HHC 3ST	3ton	1,464mm	φ 8	35kg	
HHC 5ST	5ton	1,530mm	φ 10	60kg	

■ DIMENSIONS TABLE

Item No.	a	b	c	d	e	f	g
HHC 3ST	60	16	3	80	70	140	22
HHC 5ST	70	19	3	80	90	160	28

(mm)