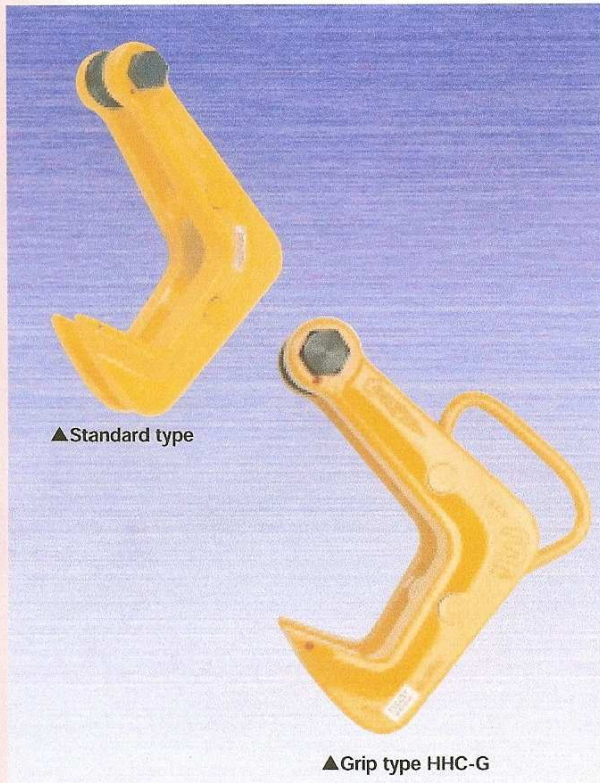


LIFTING HOOK

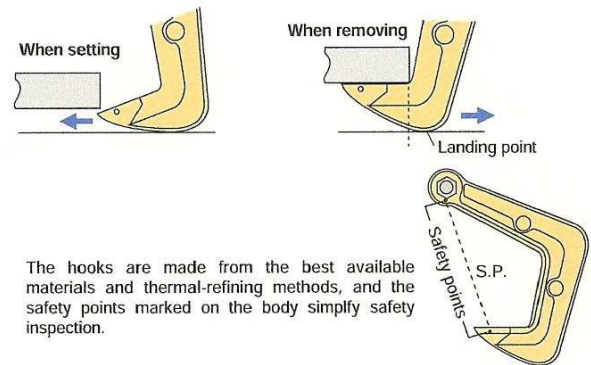


HHC 0.5~ 5G

Hook for lifting and handling of steel plates and various steel structures.

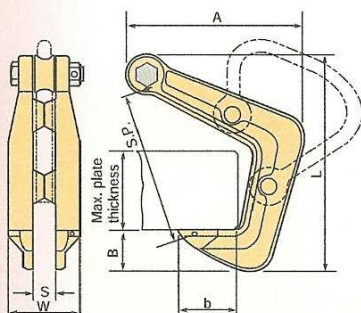
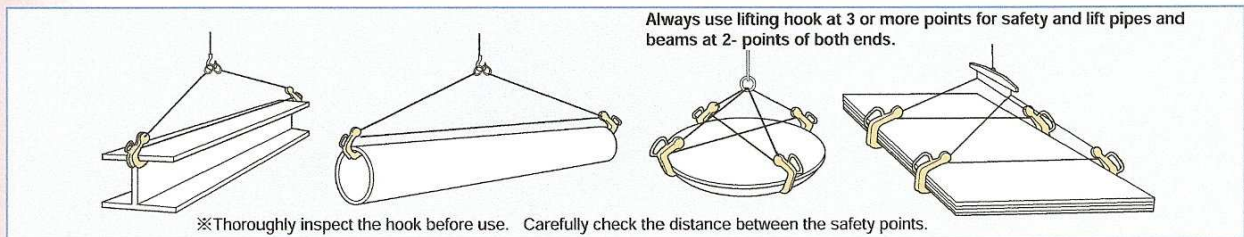
■ FEATURES

- The roller at the head of the hook will not damage the sling rope.
- The sharp hook point is effective when inserting into a small clearance.
- The landing point is at the back of the hook. This unique design makes it extremely simple to remove the hook from the work piece.
- The body is made of die-forged special alloy steels, which is optimally tempered for maximum strength and durability.
- The main body is a baked-on finish.
- The HHC-G type is equipped with a handle for easy operation.



The hooks are made from the best available materials and thermal-refining methods, and the safety points marked on the body simply safety inspection.

■ EXAMPLES OF USE



■ SPECIFICATIONS · DIMENSIONS TABLE

(Unit:mm)

Item No.	Rated capacity (ton)	Max. plate thickness	L	A	B	b	S	W	S.P. (Distance between safety points)	Net weight (kg)
HHC 0.5	0.5	58	152	121	27	45	30	63	111	1.1
HHC 1	1	65	178	144	33	51	40	80	126	2.1
HHC 2	2	80	223	182	42	62	54	105	154	4.5
HHC 3	3	95	264	215	49	73	65	125	187	7.8
HHC 5	5	125	342	279	60	96	85	160	243	16.5
HHC 1G	1	65	178	144	33	51	40	80	126	2.4
HHC 2G	2	80	223	182	42	62	54	105	154	4.9
HHC 3G	3	95	264	215	49	73	65	125	187	8.4
HHC 5G	5	125	342	279	60	96	85	160	243	17.2